

## 36" Electric Cooktop

- Radiant Cooktop with 5 Elements
- Steady Heat Elements
- Triple 12" / 9" / 6" Element
- Bridge Element
- Warming Function
- Premium Stainless Steel Trim
- Intuitive SmoothTouch™ Glass Controls



### COLOR AVAILABILITY

- LSCE365ST – Black Glass w/Stainless Steel Frame

### COOKTOP FEATURES

|                           |   |
|---------------------------|---|
| Cooktop Type              | Radiant   |
| Number of Elements        | 5 (Plus Bridge Element)                         |
| Element Size / Wattage    |   |
| Left Front                | 7" - 1,800W                                     |
| Left Rear                 | 7" - 1,800W                                     |
| Center                    | Triple 12" / 9" / 6" - 3,000W / 2,200W / 1,100W |
| Right Front               | Dual 9" / 6" - 3,000W / 1,400W                  |
| Right Rear                | 6" - 100W Warming Zone                          |
| Bridge                    | 7" - 800W                                       |
| Hot Surface LED Indicator | Yes   |
| Auto Shut Off             | Yes   |
| Warm Function             | Yes   |
| Power Control             | Steady Heat                                     |

### CONTROLS

|                      |                            |
|----------------------|----------------------------|
| Cooktop Control Type | SmoothTouch™ Glass (Front) |
| Control Lock         | Yes                        |

### CONVENIENCE

|               |     |
|---------------|-----|
| ADA Compliant | Yes |
|---------------|-----|

### SMART FEATURES

|                   |    |
|-------------------|----|
| Wi-Fi Enabled     | No |
| ThinQ® Technology | No |
| SmartDiagnosis™   | No |

### FINISHES AND APPEARANCE

|                      |                     |
|----------------------|---------------------|
| Cooktop Surface      | Black Ceramic Glass |
| Cooktop Frame / Trim | Stainless Steel     |

### TECHNICAL SPECS

|                        |                                      |
|------------------------|--------------------------------------|
| Required Power Supply  | 240 / 208 V, 60 Hz, 3-Wire or 4-Wire |
| Minimum Circuit Rating | 50 Amp                               |
| kW Rating at 208V      | 7.9 kW                               |
| kW Rating at 240V      | 10.5 kW                              |
| Power Cord / Cable     | Not Included                         |
| Power Cable Location   | Right Rear                           |

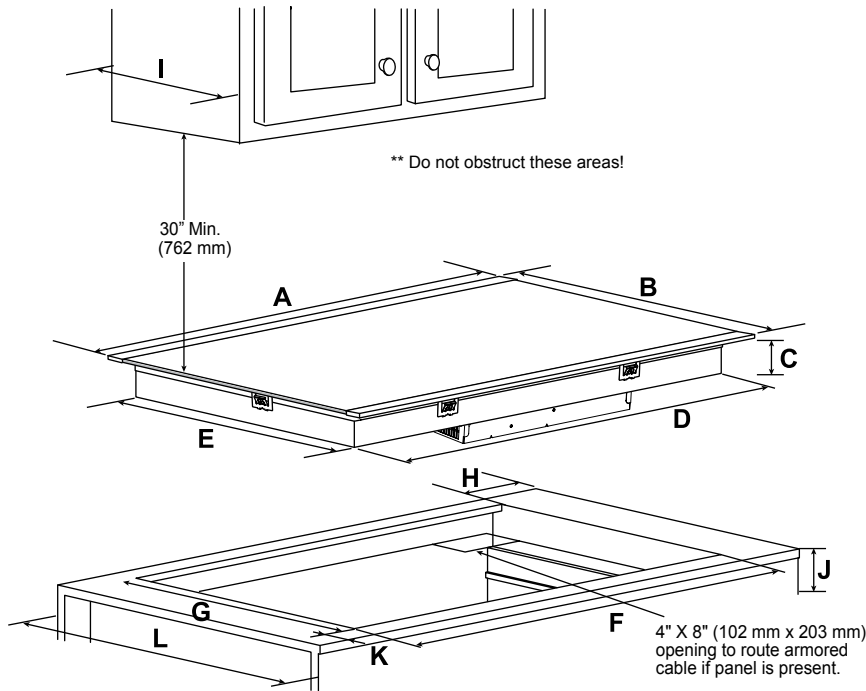
### DIMENSIONS / CLEARANCES / WEIGHTS

|                                   |                            |
|-----------------------------------|----------------------------|
| Product Dimensions (W x H x D)    | 36 11/16" x 4" x 22 15/32" |
| Cutout Dimensions (W x D)         | 34 9/16" x 20 3/8"         |
| Carton Dimensions (W x H x D)     | 40" x 6" x 25"             |
| Approx. Weight (Product / Carton) | 43 lbs. / 50 lbs.          |

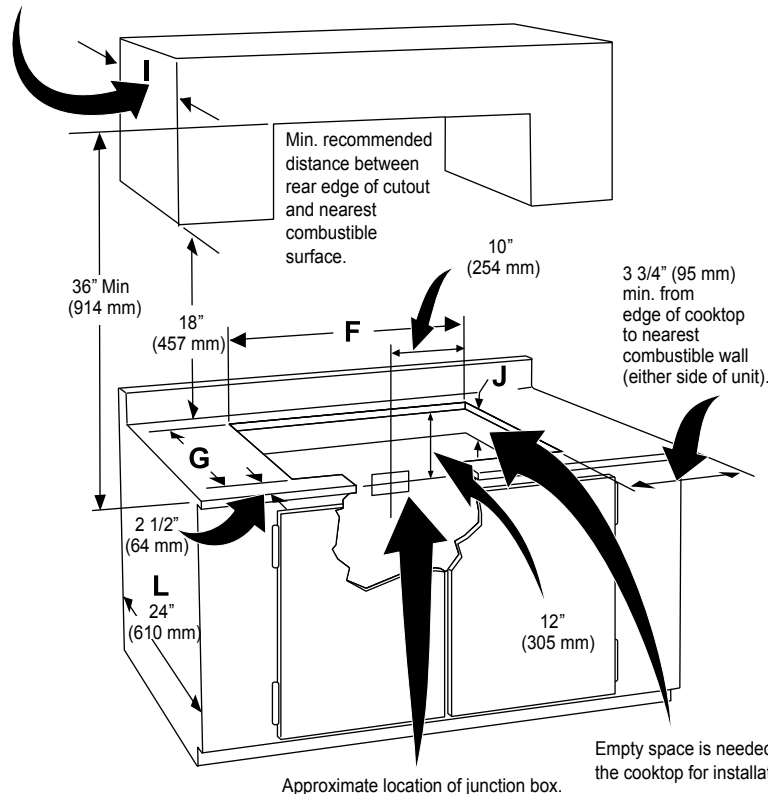
### LIMITED WARRANTY

|                               |         |
|-------------------------------|---------|
| Parts and Labor               | 2 Years |
| Cooktop and Coils, Parts Only | 5 Years |

## DIMENSIONS / CLEARANCES



Overhead cabinet should not exceed a maximum depth of 13" (330 mm).



## DIMENSIONS / CLEARANCES

|   |                           |
|---|---------------------------|
| A | 36 11/16" (932 mm)        |
| B | 22 15/32" (571 mm)        |
| C | 3 3/4" (95 mm)            |
| D | 33 27/32" (860 mm)        |
| E | 19 25/32" (502 mm)        |
| F | 34 9/16" Minimum (878 mm) |
| G | 20 3/8" Minimum (517 mm)  |
| H | 13/16" (20 mm)            |
| I | 13" Maximum (330 mm)      |
| J | 5 23/32" Minimum (145 mm) |
| K | 2 1/2" (64 mm)            |
| L | 24" (610 mm)              |

## INSTALLATION NOTES

- Allow 2" (50 mm) space below the armored cable opening to clear the electric cable and allow space for installation of the junction box on the wall at the back of the cooktop.
- Make sure the cabinets and wall coverings around the cooktop can withstand the temperatures up to 200°F generated by the cooktop.
- To eliminate the risk of burns or fire by reaching over heated surfaces, cabinet storage space located above the cooktop should be avoided. If cabinet storage is provided, risk can be reduced by installing a range hood that projects horizontally a minimum of 5" (127 mm) beyond the face of the cabinets.
- It is very important to keep 2 3/4" (70 mm) distance between the cooktop and the oven.

